

CM088-G17-SBH | 18" Gooseneck Seat Bolt, Floor, or Console Mount

CM088-G17-SBH
Flexible Gooseneck
Floor or Seat Bolt Mount



Package Contents:

- (1) CM088-G17-SBH - 18" Flexible gooseneck seat bolt, floor, or console mount includes:
 (1) seat bolt bracket, (1) floor / console bracket, (4) screws, (4) plastic caps, and
 (1) flexible steel shaft with plastic tubing, (1) Dual-T swivel ball head (installed)
 (1) AP015 - Dual-T to 4 hole adapter plate

Required Tools for Installation:

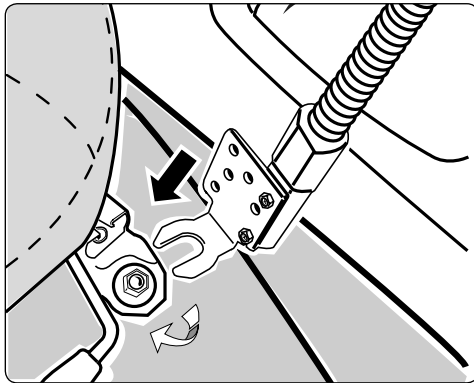
1. Socket wrench
2. Drill and philips screwdriver for optional floor or console mounting

! Do not place mount in or near an air bag deployment zone or where it will obstruct view of the road.

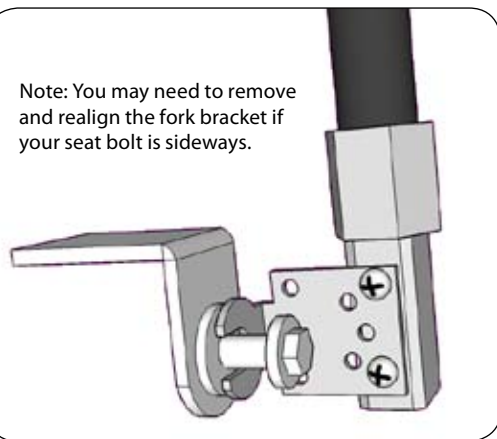
Passenger Seat Bolt Mounting

For a simple mount that can be easily moved to another vehicle, install using the passenger seat track bolt.

- Step 1. With a socket wrench, loosen the passenger seat track bolt, insert the seat track bolt bracket, and retighten the seat track bolt.



Note: You may need to remove and realign the fork bracket if your seat bolt is sideways.



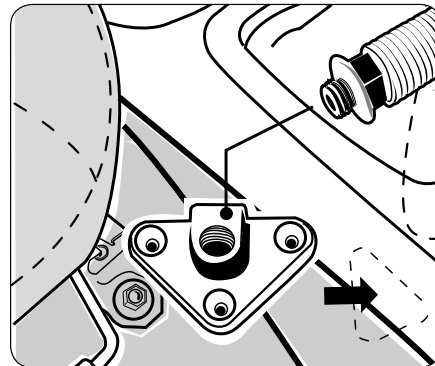
Alternative Floor or Console Mounting

For a more permanent mount, connect the Floor / Console Mount Bracket to the floor or console. This will require drilling into your vehicle's interior surface.

! Drilling into the dash, floor, or console could damage the vehicle. Use caution and consult a mobile install professional to avoid drilling into the gas tank, electrical system or other highly sensitive vehicle components.

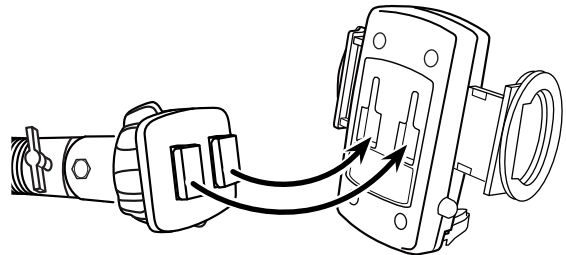
- Step 1. Screw the mount bracket to the mount. Depending on your vehicle, you may need to change the orientation of the bracket.

- Step 2. Attach the Floor / Console Bracket with screws.



Attach Holder (not included) to Gooseneck Mount

- Step 1. Attach a holder (not included, sold separately) to the floor or console mount by inserting the dual T-tabs on the mount head into the dual T-slots on the back of the holder.



Pedestal Head Adjustments

- Step 1. Adjust the shaft by bending with both hands to the desired location of the male dual T head.

! Safety Precautions

Do not install Arkon products over an air bag cover or within the air bag deployment zone. Arkon Resources, Inc. assumes no responsibility of liability for injury or death as a result of car crashes and/or air bag deployment.

Arkon is not responsible for any damages caused to your car, your device, or yourself due to the installation or use of this pedestal mount.

ARKON
RESOURCES INC.

The Mobile Mounting Specialists™

Consumer Hotline:

USA (800) 841-0884

INT'L (626) 254-9005

Monday - Friday 9 am - 5 pm, PST

www.arkon.com

Arcadia, CA 91006 USA

Designed in USA | Made in China and Taiwan

© Copyright 2011 Arkon Resources, Inc.